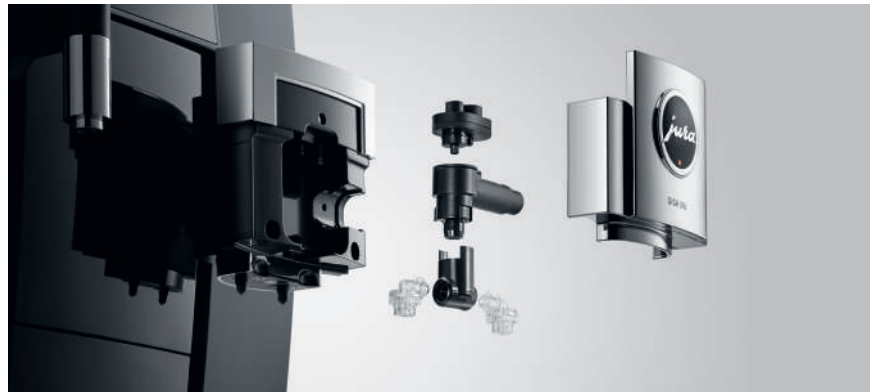


PROFESSIONAL



GIGA X8c

Built for maximum performance



Benefits

- 4,3" touchscreen colour display
- 2 precision ceramic disc grinders with Automatic Grinder Adjustment (A.G.A.®)
- Speed function thanks to additional hot water bypass
- 2 thermoblocks and 2 pumps

Recommended accessories

- Glass Cup Warmer
- Cool Control 11 Wireless
- Cool Control 11 Basic
- Milk Cooler Piccolo
- Smart Compact Payment Box
- Coffee grounds disposal/drip drain set
- Coffee to Go furniture range

Areas of use

- Office floor solutions
- Seminar / conference facilities
- Catering
- Coffee to Go

The GIGA X8c allows JURA to demonstrate Swiss innovation and professionalism down to the very last detail. Anywhere where a capacity of up to 200 cups is the order of business, the machine impresses users with its quality, functionality and reliability. Coupled with top performance in every respect, this results in a high-tech automatic coffee machine which is ideally tailored to the requirements of office floor, seminar, catering and Coffee to Go solutions.



SWISS  MADE

GIGA X8c

Technical overview

Specific advantages

Pulse Extraction Process (P.E.P.®)	■
Speed function	■
Customisable product names	■
Latte macchiato at the touch of a button	2
Caffè latte at the touch of a button	2
Flat white at the touch of a button	2
Cappuccino at the touch of a button	2
Pot of espresso-quality coffee	■
No. of individually programmable specialities	32
Milk or milk foam preparation selectable via electrically controlled air intake	■
JURA fine foam technology	■
Electrically adjustable ceramic disc grinder	2
Power hot water system (3 temperature levels)	0,5 l / Min.
Beans à la carte	■
Remaining time display	■
Generating code groups	■
Automatic milk rinse	■

JURA standards

Variable brewing chamber, from 5 g to 16 g	■
Intelligent Pre-Brew Aroma System (I.P.B.A.S.®)	■
Intelligent preheating	■
Active bean monitoring	■
Energy Save Mode (E.S.M.®)	■
High-performance pump, 15 bar	2
Thermoblock heating system	2
Fluid system	2
Monitored drip tray	■
Maintenance status display	■
Integrated rinsing, cleaning and descaling programme	■
Adjustable water hardness	■
One or two cups of espresso in one brewing operation	■
JURA hygiene: TÜV-certified	■
CLARIS filter cartridge	JURA water-filtering system
Zero-Energy Switch or power switch	■
Swiss made	■

Settings and programming options

Programmable and individually adjustable amount of water	■
Programmable and individually adjustable coffee strength	10 steps
Programmable milk temperature	10 steps
Programmable milk foam temperature	10 steps
Programmable brewing temperature	3 steps
Programmable amount of milk	■
Programmable temperature of hot water	3 steps
Programmable amount of hot water	■
Resettable day counter	■
Programmable switch-on time	■
Programmable switch-off time	■
Shows the number of preparations for each individual product	■
Integrated milk system rinsing and cleaning programme	■

Design and materials

Alu Frame Design® 3 mm aluminium front panel	■
Centre panel in Piano Black	■
Touchscreen colour display	■
Amber/white cup illumination	■
Powder chute for second, ground coffee	■
Sound design	■

In figures

Height-adjustable dual spout (milk/coffee)	70 – 159 mm
Height-adjustable hot water spout	69 – 165 mm
Coffee grounds container (servings)	max. 40
Bean container with aroma preservation cover	2 × 650 g
Cable length	ca. 1,1m
Voltage	220 – 240 V~
Current	10A
Power	2700 W
Permanent water connection	G 3/4"
Stand-by power	< 0,5 W
Weight	19 kg
Dimensions (W × H × D)	32 × 56,5 × 49,7 cm
Colour	Aluminium Black



Hygiene standards



www.tuv.com
ID 000027526